

ELECTROMAGNETIC DISC BRAKES



APLICACION NUEVAS TECNOLOGIAS ANTEC, S.A.



GENERAL DESCRIPTION

The Electromagnetic Disc Brakes Types E and S. are spring applied, power release disc brakes. Brakes release is normally achieved by D.C. operated electro-magnet.

The Three mayor items forming a brake set are:

The E or S calipers which include the magnet in compact and symmetrical block. Permits easy adjustment of the brake torque.

The E caliper is used as control brake and the S caliper as safety brake.

The disc, ventilated or solid, can be supplied with a hub or combined with a coupling. Brake Disc are characterised by a low moment of inertia and high heat dissipation. Supply can include dynamic balancing and finish bored & key.

The electronic Power Supply suitable for rectifying and modulating electric current and providing impulse and economy power to activate the caliper.

There are also power units that can be connected to direct current.

The Electromagnetic Disc Brakes are equipped with Stainless Steel Shafts, self Lube Bushes at the pivot points, Open Brake switch indicator and Hand Release Bolt. Asbestos linings free.

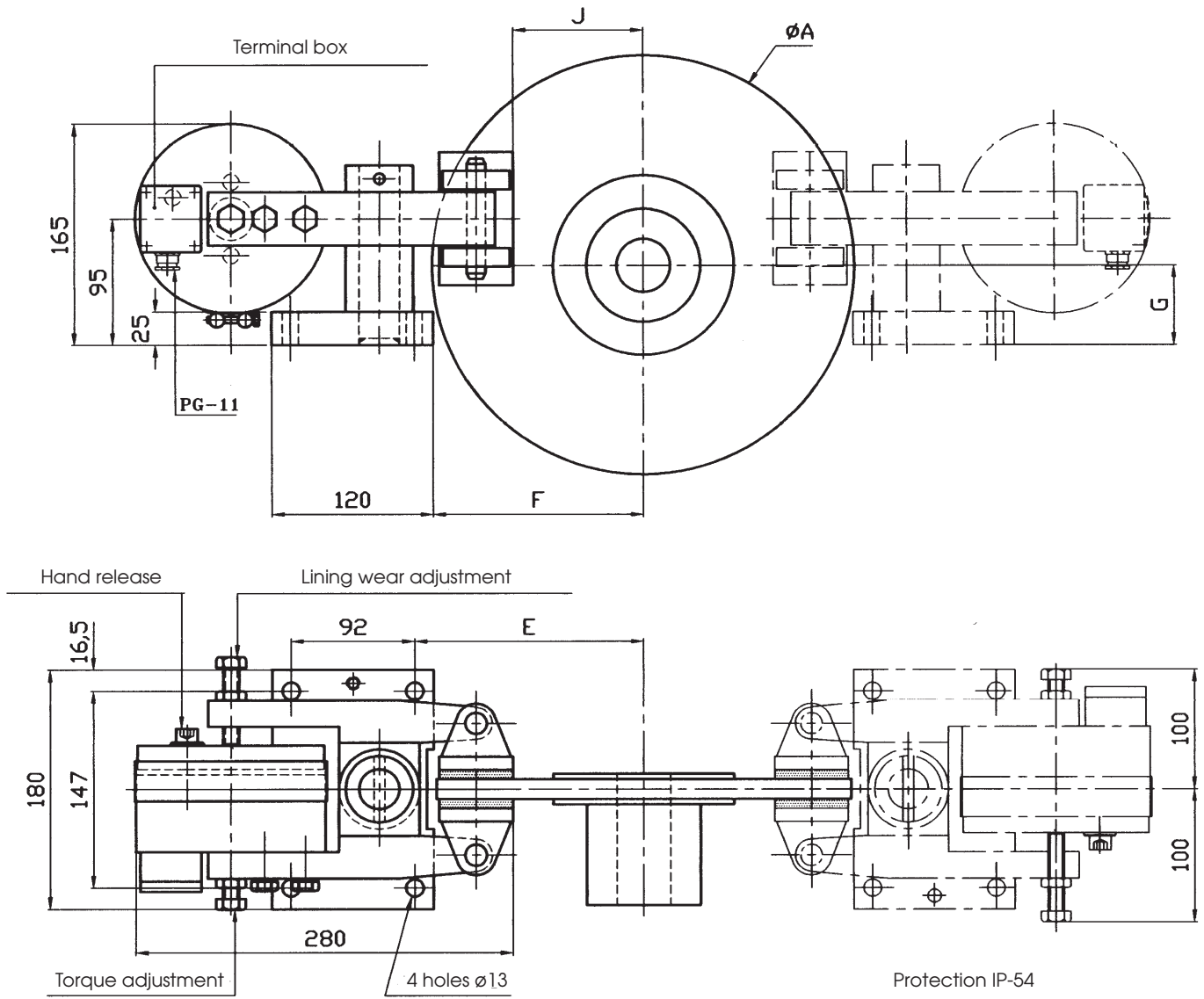
OPTIONS

- 1 Automatic lining wear adjustment (RA).
- 2 Lining Wear Indicator (DD).
- 3 Sinter Metal linings (GS).
- 4 Special Painting (PE).



DISC BRAKE TYPE 66E 15/30

52.121



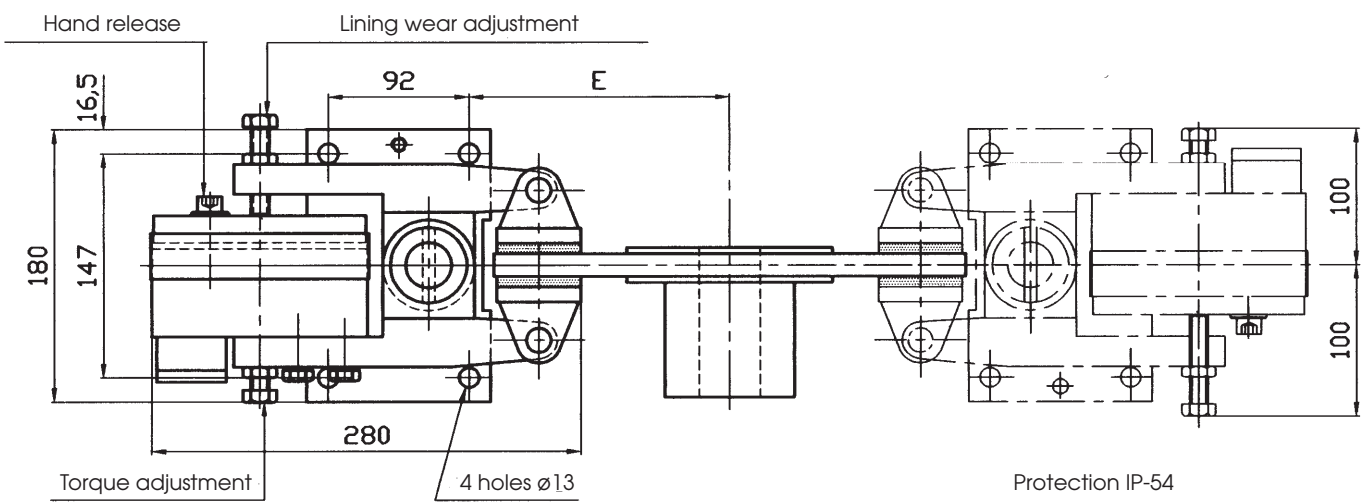
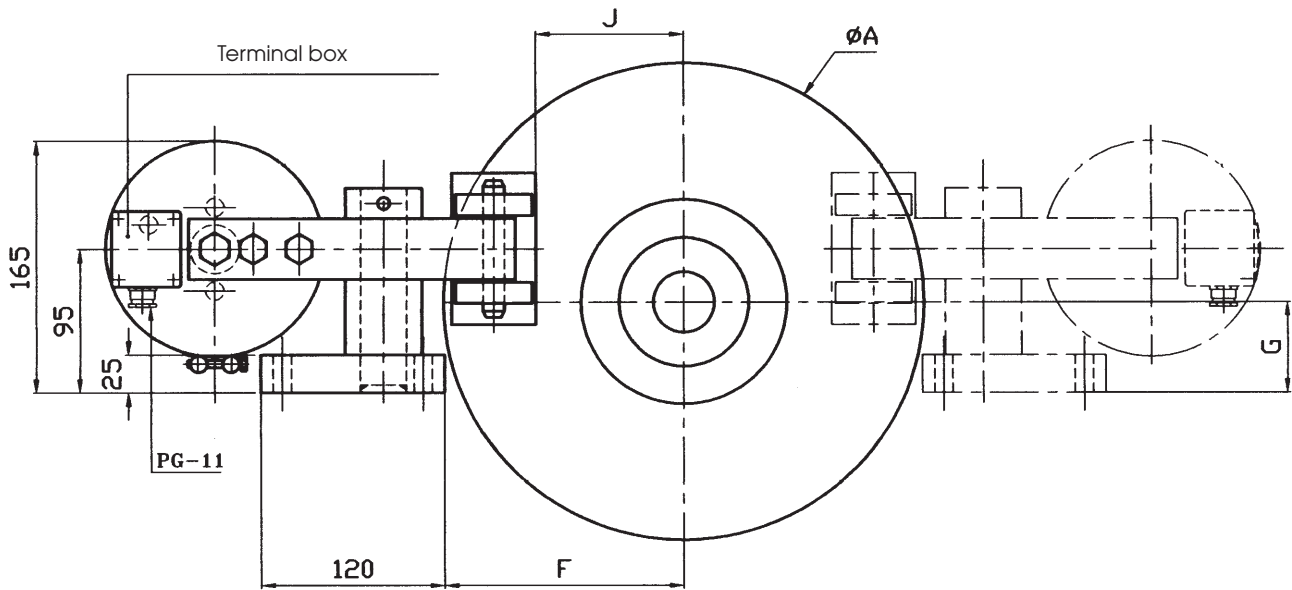
DISC SIZE ϕ	A	175	220	260	315	355	395	445	495	550	625
Braking torque Nm Regulated from (40-100%)	1 caliper	65	75	85	115	135	155	175	200	225	260
	2 calipers	130	150	170	230	270	310	350	400	450	520
Reaction on the shaft N	1 caliper	895	895	895	895	895	895	895	895	895	895
	2 calipers	125	110	90	140	150	185	205	200	180	215
Control unit		AC-6 AP-6					Reaction time 0,5 sec.				
Power	W	160 W									
Weight	Kg	18									
	E	118	128	143	173	192	213	238	263	293	328
	F	104	114	129	159	178	199	224	249	279	314
	G	85	85	85	75	70	60	50	45	45	25
	J	40	50	65	95	115	135	160	185	215	250

ANTEC guards for itself the right to modify dimensions or construction.



DISC BRAKE TYPE 65E 15/30

52.123



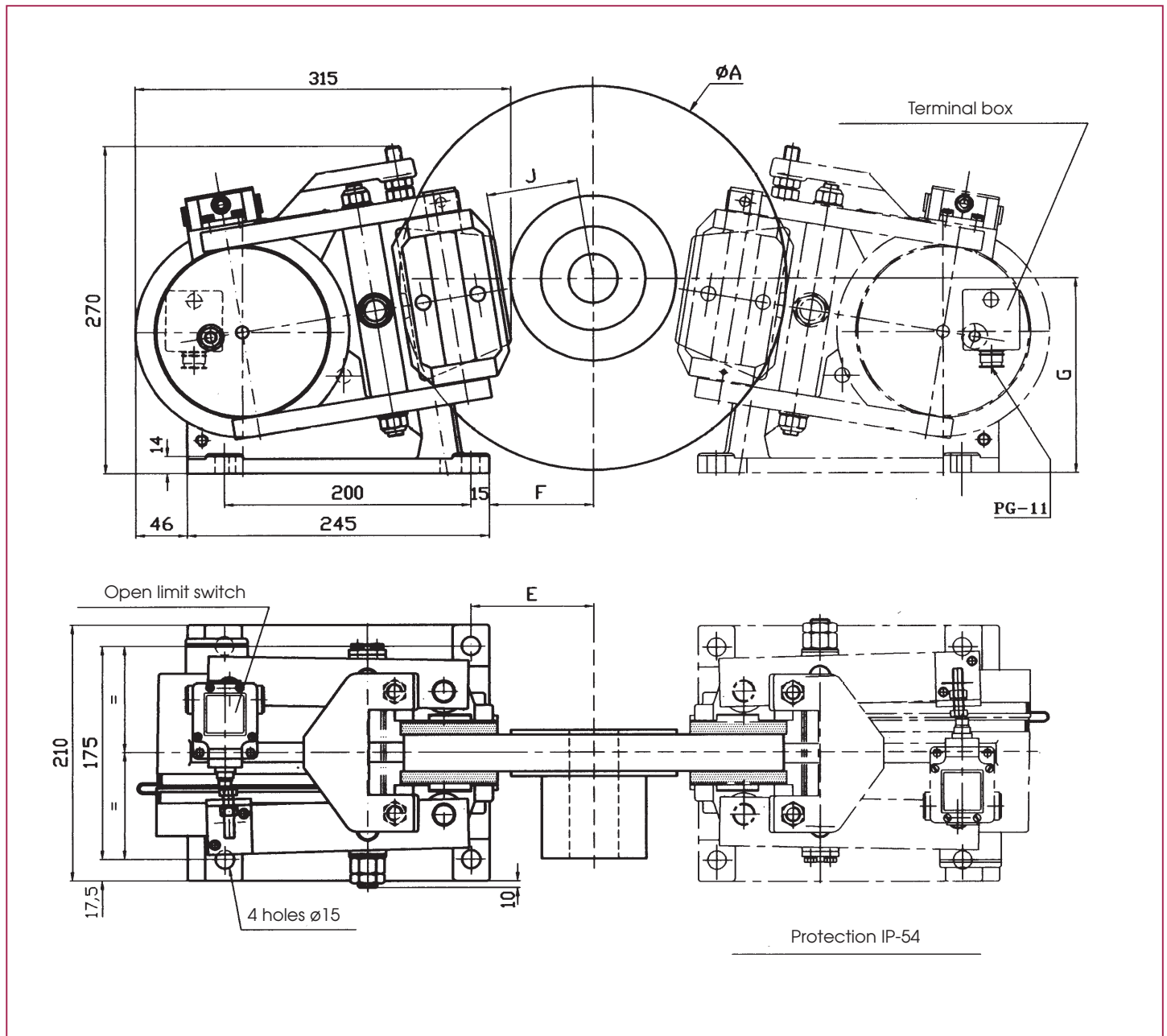
DISC SIZE ϕ	A	175	220	260	315	355	395	445	495	550	625
Braking torque Nm Regulated from (0-100%)	1 caliper	145	165	195	255	295	340	390	440	500	575
	2 calipers	290	330	390	510	590	680	780	880	1.000	1.150
Reaction on the shaft N	1 caliper	1.975	1.975	1.975	1.975	1.975	1.975	1.975	1.975	1.975	1.975
	2 calipers	270	240	205	305	335	405	450	445	390	475
Control unit		BEC-3 BEP-3					Reaction time 0,15 sec.				
Power	W	Impulse: 900W - Economy: 30W									
Weight	Kg	18									
	E	118	122	143	173	192	213	238	263	293	328
	F	104	108	129	159	178	199	224	249	279	314
	G	85	85	85	75	70	60	50	45	45	25
	J	40	50	65	95	115	135	160	185	215	250

ANTEC guards for itself the right to modify dimensions or construction.



DISC BRAKE TYPE 5E

52.322



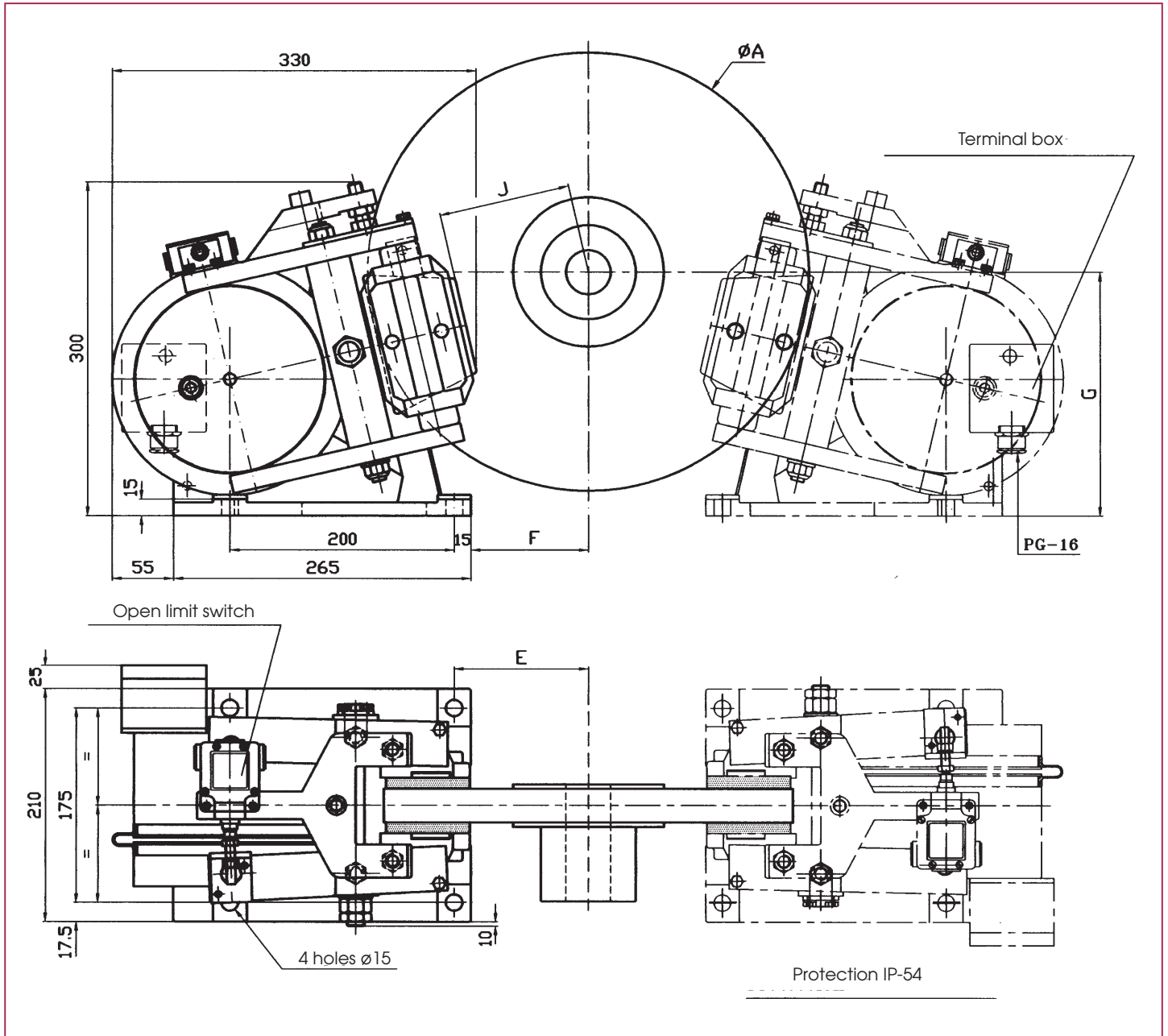
DISC SIZE Ø	A	200	220	240	260	280	315	355	395	445	495	550	625
Braking torque Nm Regulated from (25-100%)	1 caliper	150	155	175	190	205	230	276	318	362	424	488	563
	2 calipers	300	310	350	380	410	460	552	636	724	848	977	1.126
Reaction on the shaft N	1 caliper	2.050	2.050	2.050	2.050	2.050	2.050	2.050	2.050	2.050	2.050	2.050	2.050
	2 calipers	660	640	660	620	680	610	670	710	850	830	890	920
Control unit		BEC-3 BEP-3						Reaction time 0,15 sec.					
Power	W	Impulse: 900W - Economy: 30W											
Weight	Kg	35											
	E	60	62	72	78	87	100	120	140	160	190	220	255
	F	45	47	57	63	72	85	105	125	145	175	205	240
	G	155	155	157	157	160	160	165	170	180	185	195	205
	J	25	30	40	45	55	65	85	105	130	160	190	230

ANTEC guards for itself the right to modify dimensions or construction.



DISC BRAKE TYPE 54E

52.324



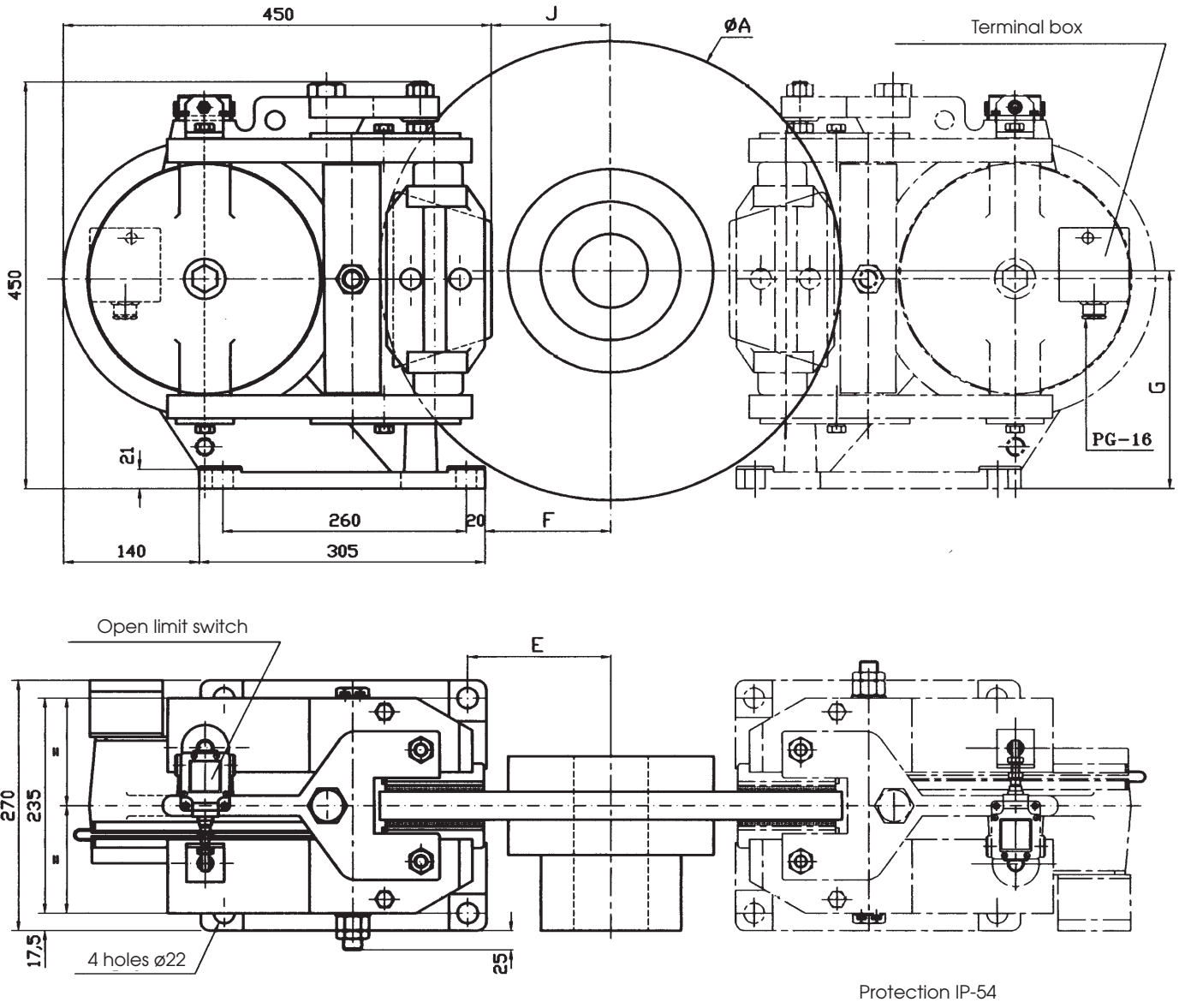
DISC SIZE Ø	A	315	355	395	445	495	550	625	795
Braking torque Nm Regulated from (50-100%)	1 caliper	490	570	650	760	860	970	1.120	1.460
	2 calipers	980	1.140	1.300	1.520	1.720	1.940	2.240	2.920
Reaction on the shaft N	1 caliper	4.090	4.090	4.090	4.090	4.090	4.090	4.090	4.090
	2 calipers	3.250	3.070	2.940	2.760	2.630	2.670	2.620	2.240
Control unit		BEC-2 BEP-2 BEC-3 BEP-3				Reaction time 0,2 sec.			
Power	W	Impulse: 1.200W - Economy: 40W							
Weight	Kg	44							
	E	80	100	120	145	170	195	230	314
	F	65	85	105	130	155	180	215	299
	G	210	215	220	225	230	240	250	260
	J	70	95	115	140	165	190	225	310

ANTEC guards for itself the right to modify dimensions or construction.



DISC BRAKE TYPE 4E

52.326



DISC SIZE Ø	A	445	495	550	625	705	795
Braking torque Nm Regulated from (25-100%)	1 caliper	1.350	1.560	1.770	2.060	2.400	2.740
	2 calipers	2.700	3.120	3.540	4.120	4.800	5.480
Reaction on the shaft N	1 caliper	8.230	8.230	8.230	8.230	8.230	8.230
	2 calipers	0	870	1.150	1.640	1.980	2.470
Control unit		BEC-2 BEP-2 BEC-3 BEP-3		Reaction time 0,2 sec.			
Power	W	Impulse: 1.200W - Economy: 40W					
Weight	Kg	110					
	E	130	155	180	215	255	295
	F	110	135	160	195	235	275
	G	225	235	240	250	260	275
	J	100	125	210	185	225	265

ANTEC guards for itself the right to modify dimensions or construction.

0497

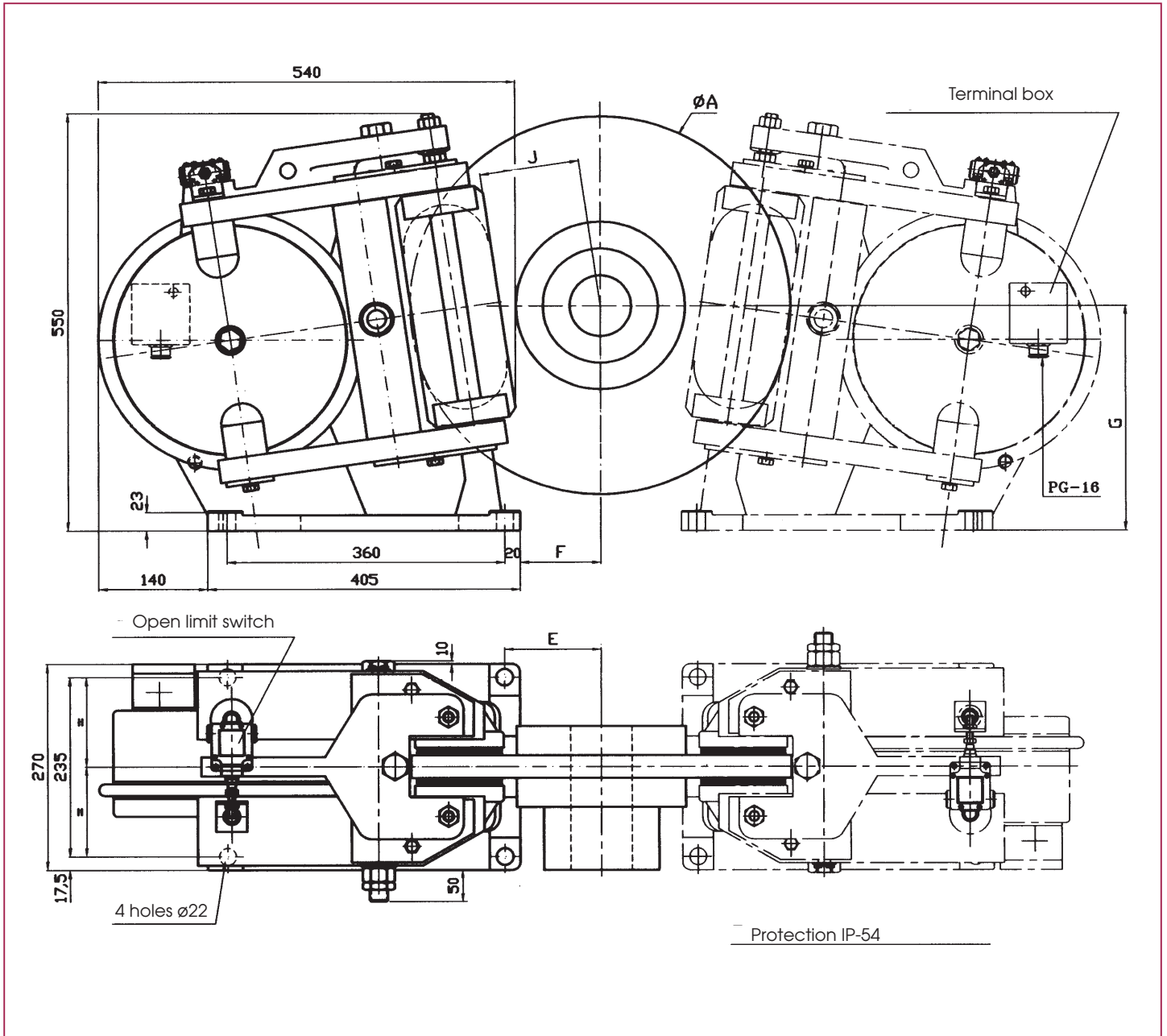
APLICACION NUEVAS TECNOLOGIAS ANTEC, S.A.

Ramón y Cajal, 74 - Tels. 34-4-496 50 11 - 34-4-495 84 51 - Fax 34-4-496 53 37 - 48920 PORTUGALETE (Vizcaya) SPAIN



DISC BRAKE TYPE 3E

52.328



DISC SIZE Ø	A	445	495	550	625	705	795	995
Braking torque Nm Regulated from (25-100%)	1 caliper	2.480	2.860	3.250	3.790	4.420	5.060	6.640
	2 calipers	4.960	5.720	6.500	7.580	8.840	10.120	13.280
Reaction on the shaft N	1 caliper	15.250	15.250	15.250	15.250	15.250	15.250	15.250
	2 calipers	1.130	640	2.000	2.940	4.090	4.950	3.430
Control unit		BEC-2 BEP-2			Reaction time 0,3 sec.			
Power	W	Impulse: 3.000W - Economy: 80W						
Weight	Kg	165						
	E	100	125	150	185	225	265	370
	F	80	105	130	165	205	245	350
	G	285	295	305	315	330	345	340
	J	100	125	150	185	230	270	375

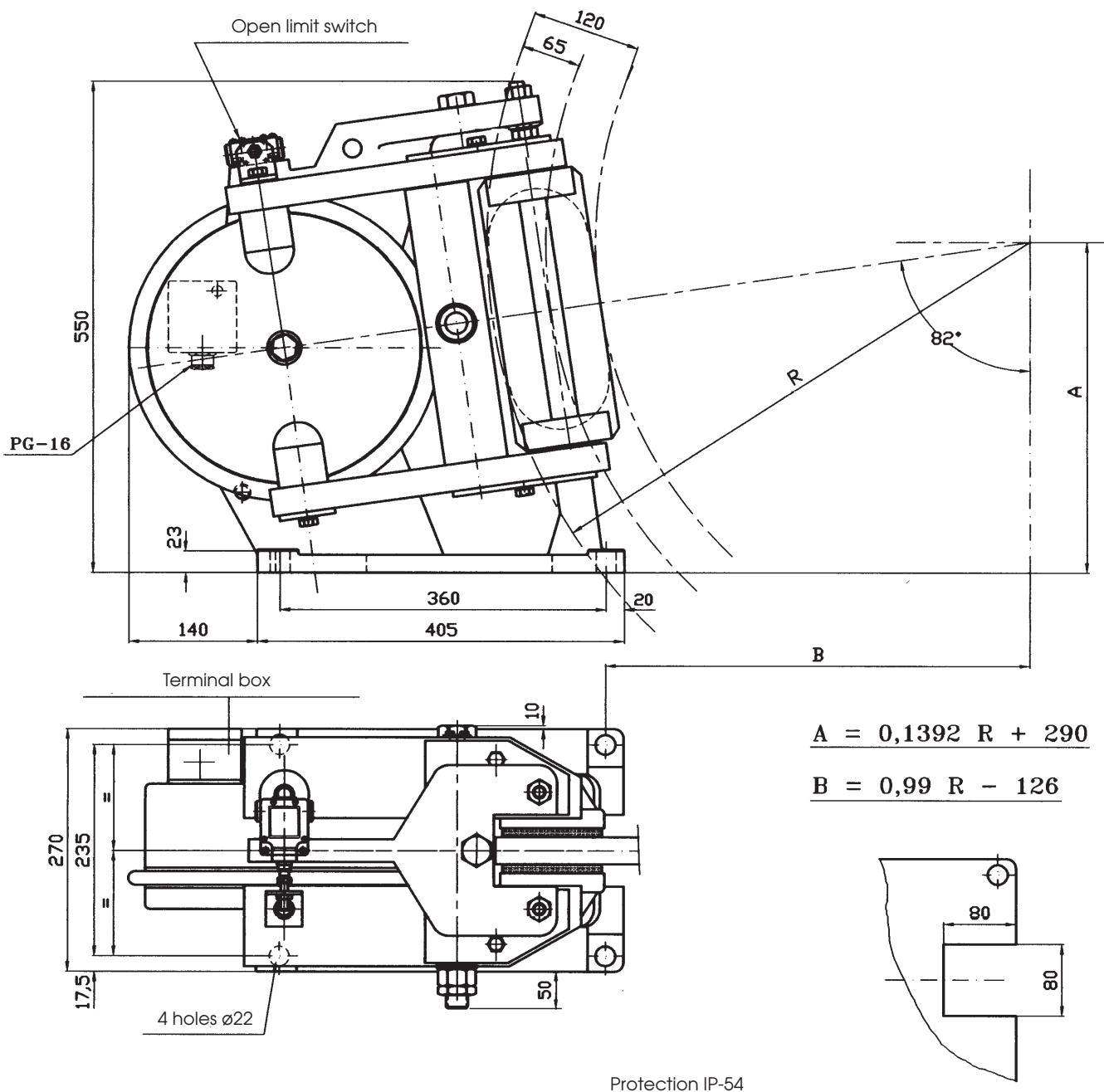
ANTEC guards for itself the right to modify dimensions or construction.



DISC BRAKE TYPE S-2

52.521

Minimum braking force: 20.000 N.
Maximum lineal speed of disc: 30 m/s.
Weight: 165 kg.
Power Impulse: 3.000 W. Economy: 80 W.
Reaction time:
Release: 0,6 sec.
Brake: 0,1 sec.
Disc thickness: 30 - 40 mm.



ANTEC guards for itself the right to modify dimensions or construction.

0497

APLICACION NUEVAS TECNOLOGIAS ANTEC, S.A.

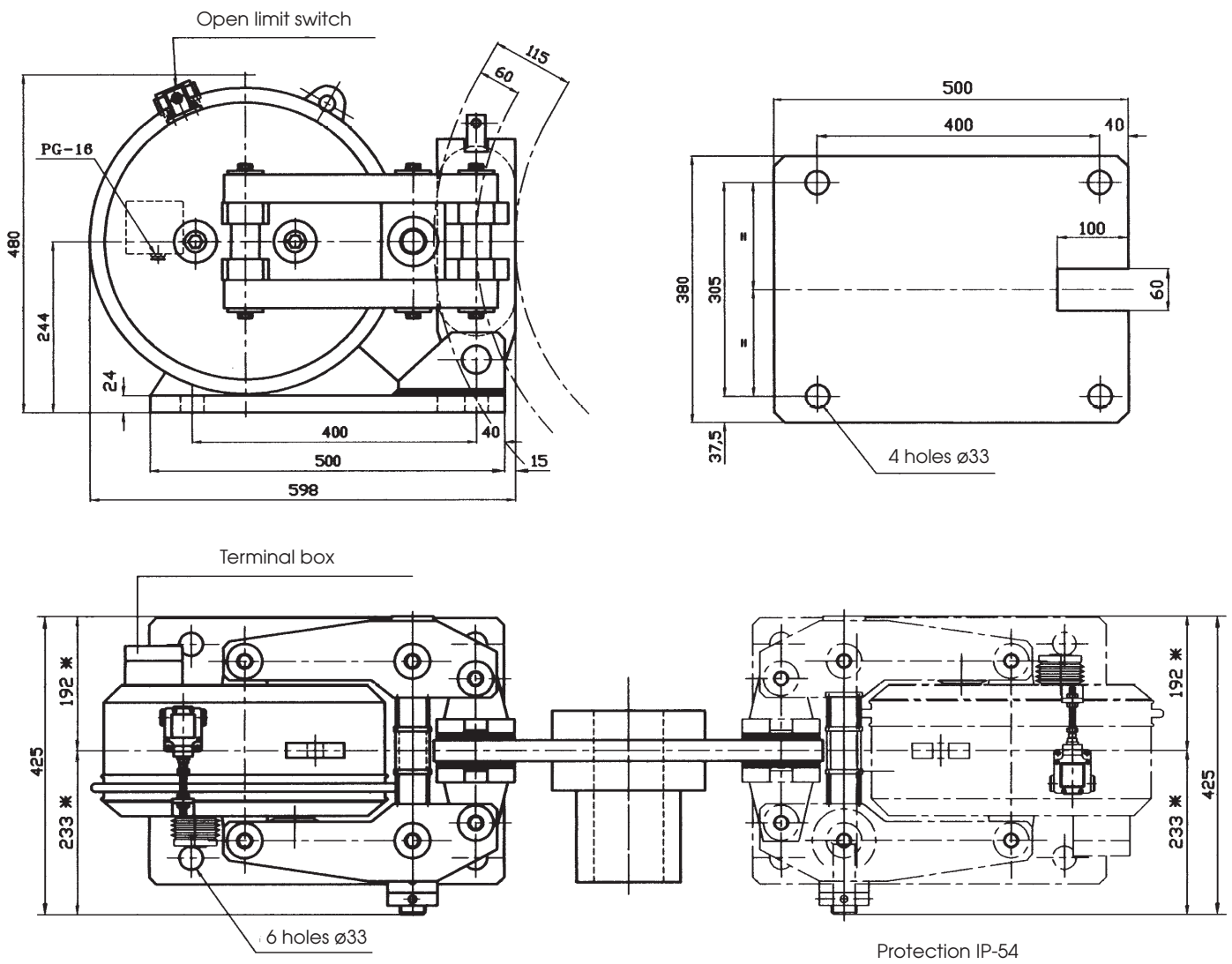
Ramón y Cajal, 74 - Tels. 34-4-496 50 11 - 34-4-495 84 51 - Fax 34-4-496 53 37 - 48920 PORTUGALETE (Vizcaya) SPAIN



DISC BRAKE TYPE S-1T

52.524

Minimum braking force: 49.000 N.
Maximum lineal speed of disc: 30 m/s.
Weight: 280 kg.
Power Impulse: 5.000 W. Economy: 160 W.
Reaction time:
 Release: 0,8 sec.
 Brake: 0,2 sec.
Disc thickness: 30 - 42 mm.



NOTE: *Dimensions 192 and 233 are interchangeable

ANTEC guards for itself the right to modify dimensions or construction.

0497

APLICACION NUEVAS TECNOLOGIAS ANTEC, S.A.

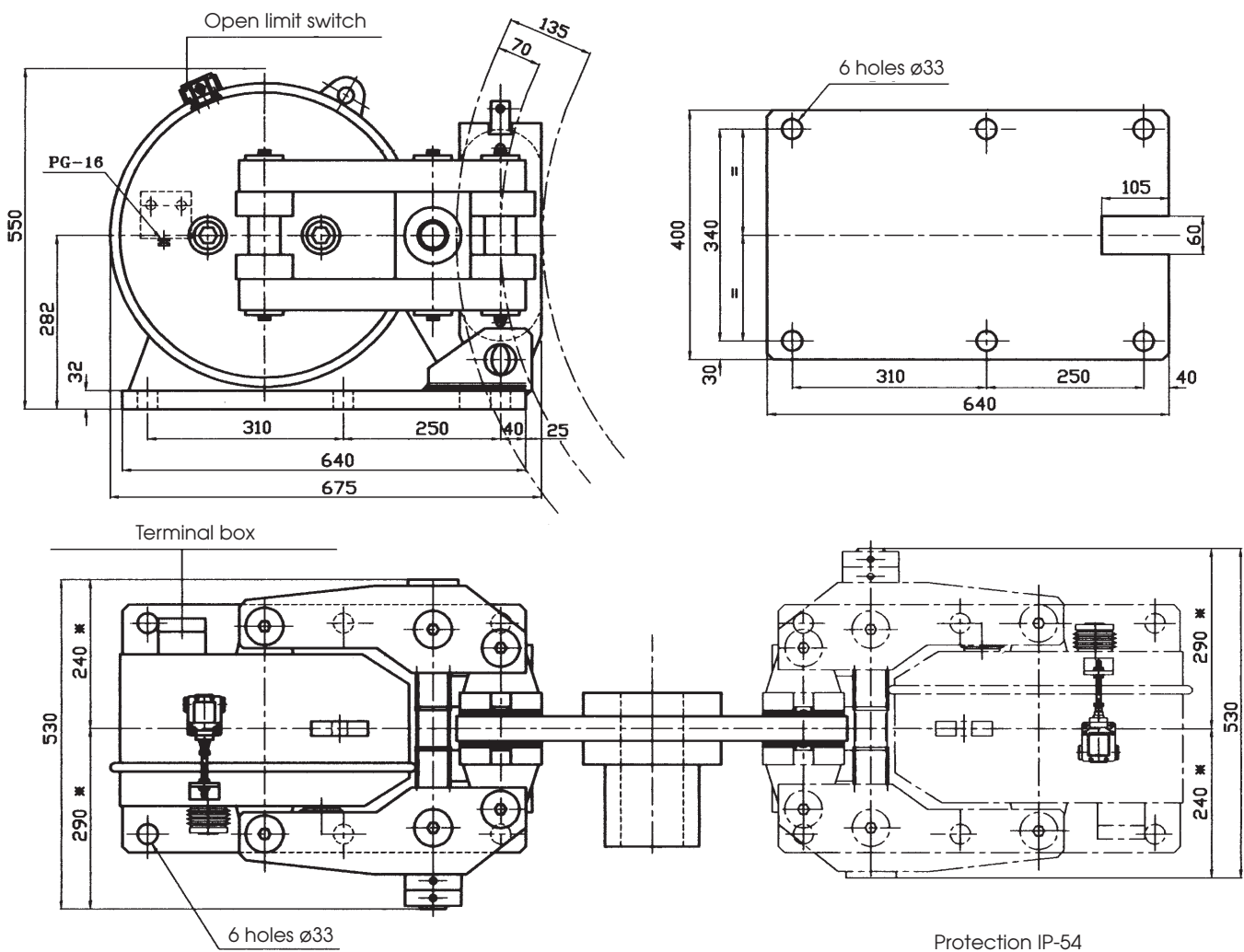
Ramón y Cajal, 74 - Tels. 34-4-496 50 11 - 34-4-495 84 51 - Fax 34-4-496 53 37 - 48920 PORTUGALETE (Vizcaya) SPAIN



DISC BRAKE TYPE S-OT

52.527

Minimum braking force: 90.000 N.
Maximum lineal speed of disc: 30 m/s.
Weight: 500 kg.
Power Impulse: 7.000 W. Economy: 300 W.
Reaction time:
 Release: 0,8 sec.
 Brake: 0,2 sec.
Disc thickness: 30 - 42 mm.



NOTE: *Dimensions 240 and 290 are interchangeable

ANTEC guards for itself the right to modify dimensions or construction.

0497

APLICACION NUEVAS TECNOLOGIAS ANTEC, S.A.

Ramón y Cajal, 74 - Tels. 34-4-496 50 11 - 34-4-495 84 51 - Fax 34-4-496 53 37 - 48920 PORTUGALETE (Vizcaya) SPAIN



DESCRIPTION AND OPERATION

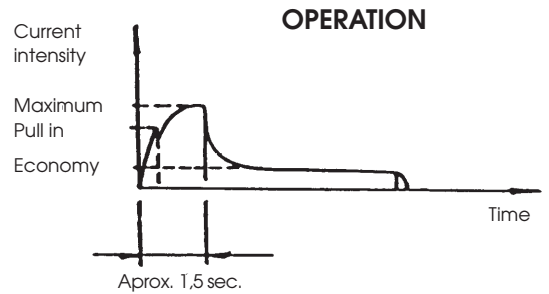
- A power supply suitable for rectifying and modulating electric current and providing sufficient pulse and economy power to activate the calipers.
- Instant caliper drop and braking.
- Available in two versions: unprotected, on an IP-00 mounting plate, or presented in an IP-55 protective cabinet.

CHARACTERISTICS

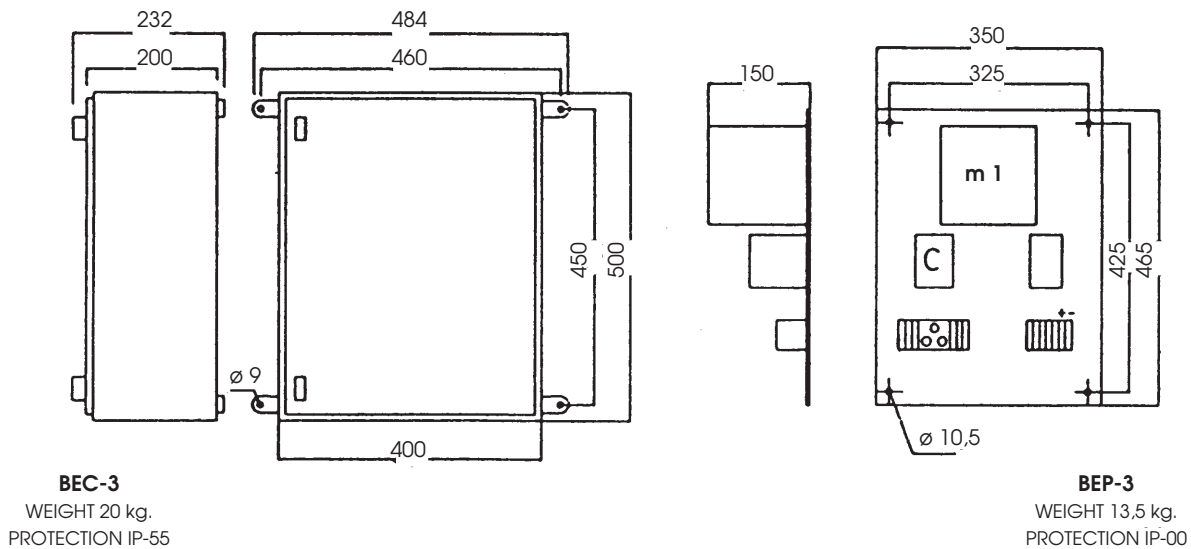
- Single phase connection voltage: Normal 220 / 380 / 400 / 420 / 440 / 460 / 480 V. (50 or 60 Hz.)
- Other voltages and frecuencies when requested.
- If there is any possibility of drop under pulse: ask before order.
- Ambient temperature range: (-20°C ÷ +60°C.)

OPTIONS

- Thermal control.
- Voltage indicators.



SIZE, WEIGHT AND PROTECTION



APPLICATIONS

Calipers type	Calipers quantity	Max. cycles/hour	Power (w)		Caliper supply cable resistance	Primary fuses	
			Impulse	Economy		220 V.	380 V.
65 E or 5 E	1	1.500	900	30	0,2 Ω	6 A.	4 A.
	2	1.000	1.800	60	0,2 Ω	6 A.	4 A.
54 E or 4 E	1	1.000	1.200	40	0,1 Ω	10 A.	6 A.
	2	500	2.400	80	0,1 Ω	10 A.	6 A.

ANTEC guards for itself the right to modify dimensions or construction.



DESCRIPTION AND OPERATION

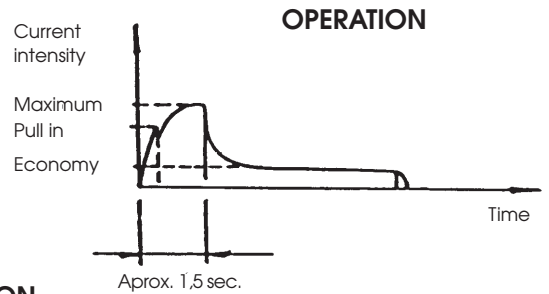
- A power supply suitable for rectifying and modulating electric current and providing sufficient pulse and economy power to activate the calipers.
- Instant caliper drop and braking.
- Available in two versions: unprotected, on an IP-00 mounting plate, or presented in an IP-55 protective cabinet.

CHARACTERISTICS

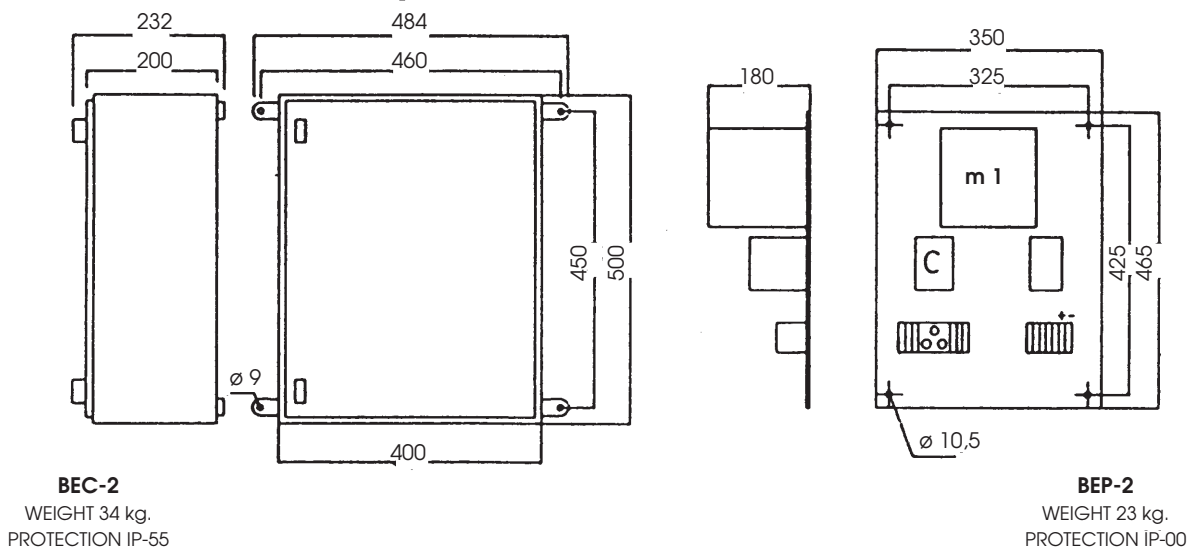
- Single phase connection voltage: Normal 220 / 380 / 400 / 420 / 440 / 460 / 480 V. (50 or 60 Hz.)
- Other voltages and frequencies when requested.
- If there is any possibility of drop under pulse: ask before order.
- Ambient temperature range: (-20°C ÷ +60°C.)

OPTIONS

- Thermal control.
- Voltage indicators.



SIZE, WEIGHT AND PROTECTION



APPLICATIONS

Calipers type	Calipers quantity	Max. cycles/hour	Power (w)		Caliper supply cable resistance	Primary fuses	
			Impulse	Economy		220 V.	380 V.
54 E or 4 E	1	1.200	1.200	40	0,1 Ω	10 A.	6 A.
	2	1.000	2.400	80	0,1 Ω	10 A.	6 A.
3 E or S2	1	750	3.000	80	0,1 Ω	16 A.	10 A.
	2	360	6.000	160	0,05 Ω	25 A.	16 A.
S1 T	1	360	5.000	160	0,05 Ω	25 A.	16 A.

ANTEC guards for itself the right to modify dimensions or construction.



DESCRIPTION AND OPERATION

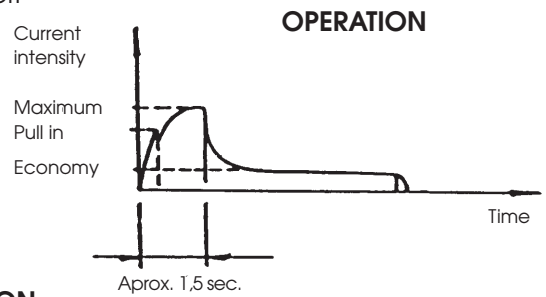
- A power supply suitable for rectifying and modulating electric current and providing sufficient pulse and economy power to activate the calipers.
- Instant caliper drop and braking.
- Available in two versions: unprotected, on an IP-00 mounting plate, or presented in an IP-55 protective cabinet.

CHARACTERISTICS

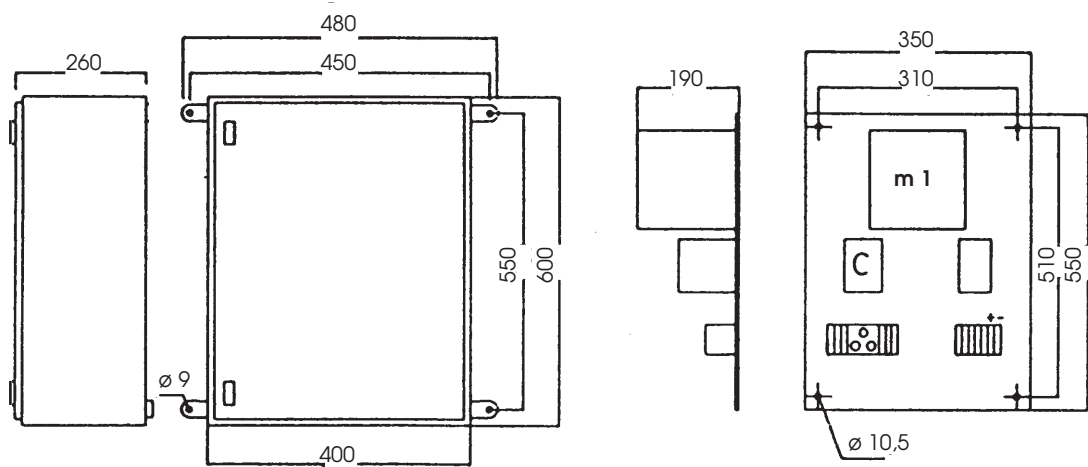
- Single phase connection voltage: Normal 220 / 380 / 400 / 420 / 440 / 460 / 480 V. (50 or 60 Hz.)
- Other voltages and frequencies when requested.
- If there is any possibility of drop under pulse: ask before order.
- Ambient temperature range: (-20°C ÷ +60°C.)

OPTIONS

- Thermal control.
- Voltage indicators.



SIZE, WEIGHT AND PROTECTION



BEC-1
 WEIGHT 42 kg.
 PROTECTION IP-55

BEP-1
 WEIGHT 31 kg.
 PROTECTION IP-00

APPLICATIONS

Caliper type	Calipers quantity	Max. cycles/hour	Power (w)		Caliper supply cable resistance	Primary fuses	
			Impulse	Economy		220 V.	380 V.
S0 T	1	300	7.000	300	0,1 Ω 0,05 Ω	40 A.	20 A.
	2	150	14.000	600		63 A.	40 A.

ANTEC guards for itself the right to modify dimensions or construction.



Ramón y Cajal, 74
48920 PORTUGALETE
(Vizcaya) SPAIN
Tels. (34-4) 496 50 11 - 34-4-495 84 51
Fax (34-4) 496 53 37